



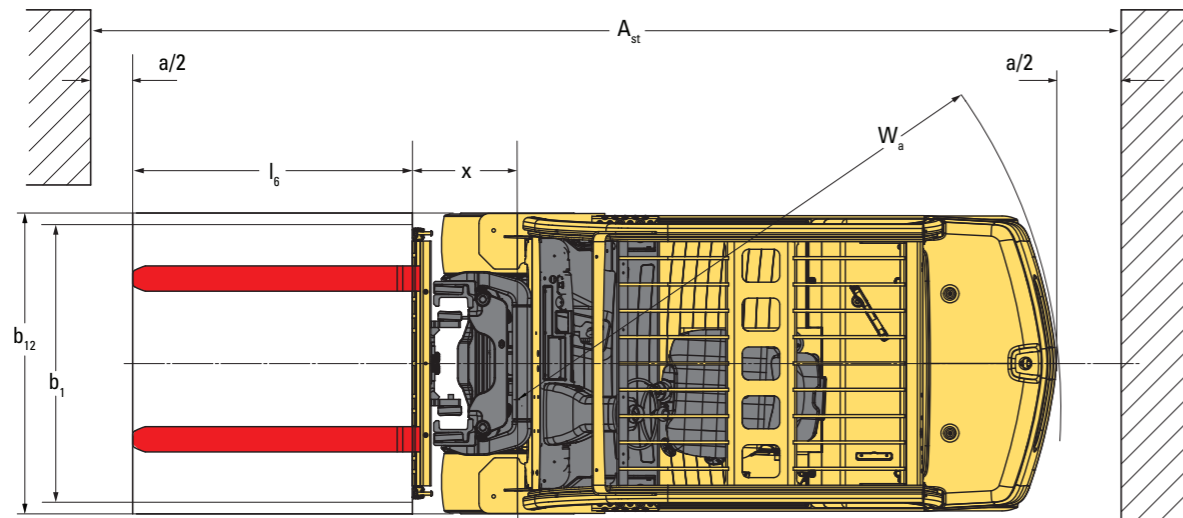
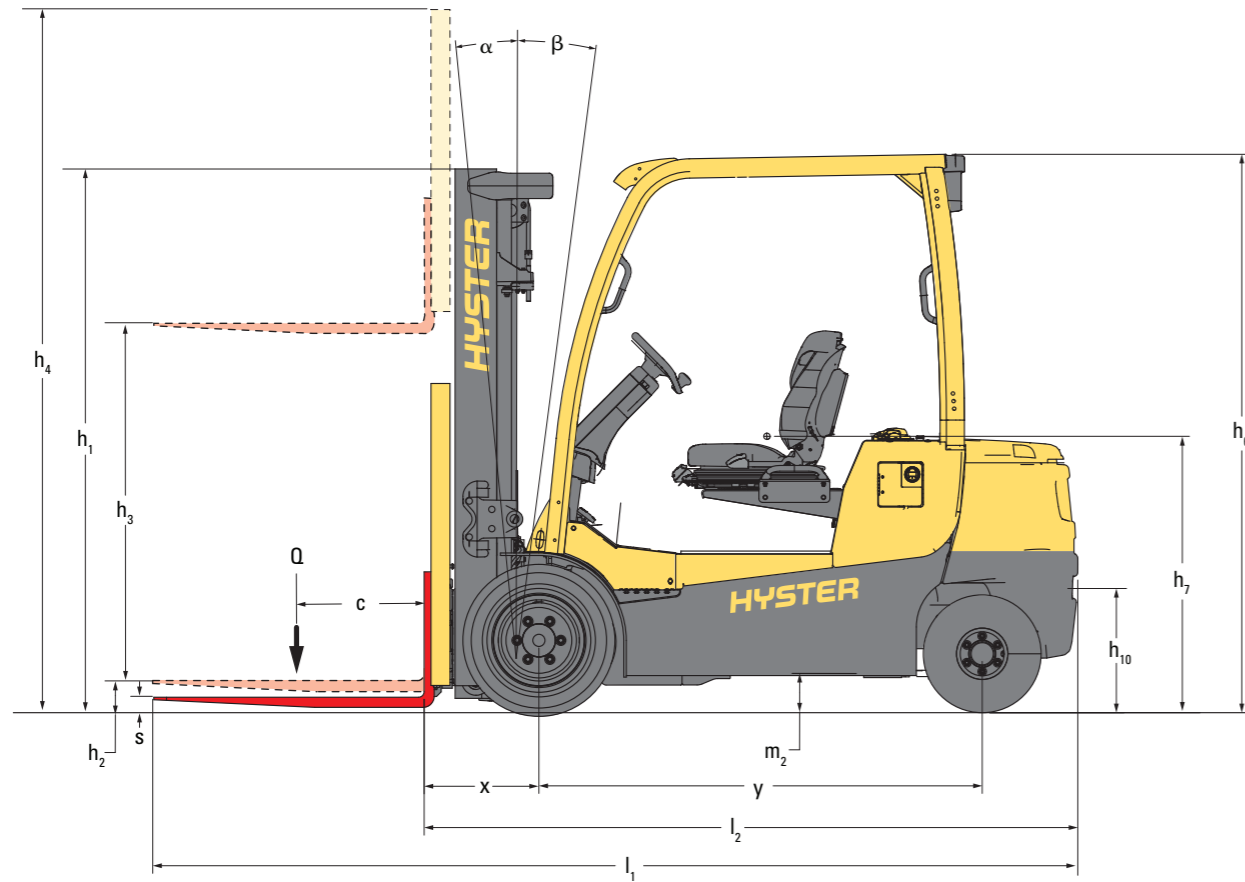
**STRONG PARTNERS.
TOUGH TRUCKS.™**



J2.5-3.0XNL SERIES TECHNICAL GUIDE



WWW.HYSTER.COM



- \oplus = Centre of gravity of unladen truck
- A_{st} = $W_a + R + a$ (see lines 4.34.1 & 4.34.2)
- $R = \sqrt{(l_6 + x)^2 + \left(\frac{b_{12} - b_1}{2}\right)^2}$
- a = Minimum operating clearance (VDI standard = 200 mm, BITA recommendation = 300 mm)
- l_6 = Load length

J2.5XNL RATED CAPACITY KG@ 500 MM LOAD CENTRE

	Maximum fork height (TOF) $h_3 + s$ (mm)	Back tilt (°)	Lowered height h_1 (mm)	Extended height h_4 (mm)	Free lift (TOF) $h_2 + s$ (m)	Pneumatic Shape Solid Tyres	
						Without sideshift (kg)	With integral sideshift (kg)
2-STAGE LIMITED FREE LIFT	3390	5	2195	3956 (1)	140	2500	2500
	3790	5	2395	4356 (1)	140	2500	2500
	4330	5	2745	4896 (1)	140	2500	2500
	4830	5	2995	5396 (1)	140	2500	2500
2-STAGE FULL FREE LIFT	3400	5	2195	3966 (1)	1625 (2)	2500	2500
	3800	5	2395	4366 (1)	1825 (2)	2500	2500
	4420	5	2745	4986 (1)	2175 (2)	2500	2500
3-STAGE FULL FREE LIFT	4950	5	2145	5496 (3)	1595 (4)	2500	2500
	5550	5	2395	6096 (3)	1845 (4)	2410	2380
	6000	5	2595	6546 (3)	2045 (4)	2310	2290

J2.5XNL RATED CAPACITY KG@ 600 MM LOAD CENTRE

	Maximum fork height (TOF) $h_3 + s$ (mm)	Back tilt (°)	Lowered height h_1 (mm)	Extended height h_4 (mm)	Free lift (TOF) $h_2 + s$ (m)	Pneumatic Shape Solid Tyres	
						Without sideshift (kg)	With integral sideshift (kg)
2-STAGE LIMITED FREE LIFT	3390	5	2195	3956 (1)	140	2270	2270
	3790	5	2395	4356 (1)	140	2270	2270
	4330	5	2745	4896 (1)	140	2270	2270
	4830	5	2995	5396 (1)	140	2270	2270
2-STAGE FULL FREE LIFT	3400	5	2195	3966 (1)	1625 (2)	2270	2270
	3800	5	2395	4366 (1)	1825 (2)	2270	2270
	4420	5	2745	4986 (1)	2175 (2)	2270	2270
3-STAGE FULL FREE LIFT	4950	5	2145	5496 (3)	1595 (4)	2270	2250
	5550	5	2395	6096 (3)	1845 (4)	2190	2150
	6000	5	2595	6546 (3)	2045 (4)	2100	2070

J3.0XNL RATED CAPACITY KG@ 500 MM LOAD CENTRE

	Maximum fork height (TOF) $h_3 + s$ (mm)	Back tilt (°)	Lowered height h_1 (mm)	Extended height h_4 (mm)	Free lift (TOF) $h_2 + s$ (m)	Pneumatic Shape Solid Tyres	
						Without sideshift (kg)	With integral sideshift (kg)
2-STAGE LIMITED FREE LIFT	3200	5	2195	3861 (5)	145	3000	2960
	3600	5	2395	4261 (5)	145	3000	2950
	4100	5	2745	4761 (5)	145	3000	2940
	4600	5	2995	5261 (5)	145	2920	2850
2-STAGE FULL FREE LIFT	3205	5	2195	3862 (5)	1535 (6)	3000	2960
	3905	5	2595	4562 (5)	1935 (6)	3000	2940
	4405	5	2845	5062 (5)	2185 (6)	2960	2900
3-STAGE FULL FREE LIFT	4610	5	2145	5252 (7)	1500 (8)	2970	2900
	4910	5	2295	5552 (7)	1650 (8)	2900	2830
	5210	5	2395	5852 (7)	1750 (8)	2840	2760
	5810	5	2645	6452 (7)	2000 (8)	2690	2600

J3.0XNL RATED CAPACITY KG@ 600 MM LOAD CENTRE

	Maximum fork height (TOF) $h_3 + s$ (mm)	Back tilt (°)	Lowered height h_1 (mm)	Extended height h_4 (mm)	Free lift (TOF) $h_2 + s$ (m)	Pneumatic Shape Solid Tyres	
						Without sideshift (kg)	With integral sideshift (kg)
2-STAGE LIMITED FREE LIFT	3200	5	2195	3861 (5)	145	2720	2680
	3600	5	2395	4261 (5)	145	2720	2670
	4100	5	2745	4761 (5)	145	2720	2660
	4600	5	2995	5261 (5)	145	2650	2580
2-STAGE FULL FREE LIFT	3205	5	2195	3862 (5)	1535 (6)	2720	2680
	3905	5	2595	4562 (5)	1935 (6)	2720	2660
	4405	5	2845	5062 (5)	2185 (6)	2680	2620
3-STAGE FULL FREE LIFT	4610	5	2145	5252 (5)	1500 (6)	2690	2620
	4910	5	2295	5552 (7)	1650 (6)	2630	2560
	5210	5	2395	5852 (7)	1750 (6)	2570	2500
	5810	5	2645	6452 (7)	2000 (6)	2440	2350

NOTE: To calculate truck capacities with alternative truck specifications to the ones shown in the above tables, please consult your Hyster dealer. The rated capacities shown are for masts in a vertical position on trucks equipped with standard or sideshift carriage and nominal length forks. Masts above the maximum fork heights shown in the mast table are classified as high lift and, depending on the tyre/tread configuration may require reduced capacity, restricted back tilt or wide tread.

J2.5XNL / J3.0XNL SPECIFICATIONS

GENERAL	1-1		HYSTER		HYSTER		HYSTER		HYSTER		
	1-2		J2.5XNL		J3.0XNL		J2.5XNL		J3.0XNL		
	1-2		Advance		Advance		Advance+		Advance+		
	1-3		Electric (battery)		Electric (battery)		Electric (battery)		Electric (battery)		
	1-4		Seated		Seated		Seated		Seated		
	1-5		Q	kg	2,500	3,000	2,500	3,000	2,500	3,000	
	1-6		c	mm	500	500	500	500	500	500	
	1-8		x	mm	419	431	419	431	419	431	
	1-9		y	mm	1,750	1,750	1,750	1,750	1,750	1,750	
WEIGHT	2-1		kg		4,280		4,710		4,280		
	2-2		kg		5,957	821	7,596	610	5,957	821	
	2-3		kg		2,144	2,135	2,233	2,473	2,144	2,135	
WHEELS	3-1		SE		SE		SE		SE		
	3-2		23 x 10-12		23 x 10-12		23 x 10-12		23 x 10-12		
	3-3		18 x 7-8		18 x 7-8		18 x 7-8		18 x 7-8		
	3-5		2x / 2		2x / 2		2x / 2		2x / 2		
	3-6		b ₁₀	mm	938	1054	938	1054	938	1054	
	3-7		b ₁₁	mm	992	992	992	992	992	992	
	4-1		(°)		5	5	5	5	5	5	
DIMENSIONS	4-2		h ₁	mm	2,192	2,192	2,192	2,192	2,192	2,192	
	4-3		h ₂	mm	100	100	100	100	100	100	
	4-4		h ₃	mm	3,350	3,155	3,350	3,155	3,350	3,155	
	4-5		h ₄	mm	3,960	3,865	3,960	3,865	3,960	3,865	
	4-7		h ₆	mm	2,193	2,193	2,193	2,193	2,193	2,193	
	4-8		h ₇	mm	984	984	984	984	984	984	
	4-12		h ₁₀	mm	262	262	262	262	262	262	
	4-19		l ₁	mm	3,480	3,570	3,480	3,570	3,480	3,570	
	4-20		l ₂	mm	2,480	2,570	2,480	2,570	2,480	2,570	
	4-21		b ₁ /b ₂	mm	1,173	1,289	1,173	1,289	1,173	1,289	
	4-22		s/e/l	mm	40 / 100 / 1,000	50 / 120 / 1,000	40 / 100 / 1,000	50 / 120 / 1,000	40 / 100 / 1,000	50 / 120 / 1,000	
	4-23		2A		3A		2A		3A		
	4-24		b ₃	mm	1,067	1,067	1,067	1,067	1,067	1,067	
	4-31		m ₁	mm	98	98	98	98	98	98	
	4-32		m ₂	mm	137	137	137	137	137	137	
	4-34-1		A _{st}	mm	3,750	3,828	3,750	3,828	3,750	3,828	
4-34-4		A _{st}	mm	3,906	3,984	3,906	3,984	3,906	3,984		
4-35		W _a	mm	2,073	2,139	2,073	2,139	2,073	2,139		
4-36		b ₁₃	mm	189	189	189	189	189	189		
PERFORMANCE	5-1		km/h	18.0	18.0	17.0	18.0	21.0	21.0	19.5	
	5-2		m/s	0.38	0.63	0.33	0.59	0.49	0.72	0.42	
	5-3		m/s	0.57	0.51	0.56	0.46	0.57	0.51	0.56	
	5-5		N	5,591	5,726	5,441	5,588	6,037	6,185	5,877	
	5-6		N	18,451	18,897	17,956	18,441	19,927	20,409	19,393	
	5-7		%	9	13	8	12	10	14	9	
	5-8		%	24	35	22	34	26	38	24	
	5-9		s	4.45	4.11	4.56	4.18	4.04	3.71	4.14	
	5-10		Hydraulic		Hydraulic		Hydraulic		Hydraulic		
	MOTOR	6-1		2 x 10.0		2 x 10.0		2 x 10.0		2 x 10.0	
6-2		16.0		16.0		24.0		24.0			
6-3		No		No		No		No			
6-4		V/Ah	80	360	80	360	80	360	80		
6-5		kg	362	394	362	394	362	394	362		
6-6		kWh/h	7.89		8.66		8.86		9.47		
OTHER	8-1		AC Electronic		AC Electronic		AC Electronic		AC Electronic		
	10-1		bar	155		155		155		155	
	10-2		l/min	20-40		20-40		20-40		20-40	
	10-7		dB(A)	67		67		67		67	
10-8		Pin		Pin		Pin		Pin			

EQUIPMENT & WEIGHT:

Weights (line 2.1) are based on the following specifications:
 Complete truck with 3 390 mm (J2.5XNL) or 3 200 mm (J3.0XNL) 2-stage limited free lift mast, standard carriage and 1000 mm forks with load backrest with extended shift on with standard battery configuration, standard seat and overhead guard and pneumatic shaped solid drive and steer tyres.

NOTE:

Specifications are affected by the condition of the vehicle and how it is equipped, as well as the nature and condition of the operating area. Inform your dealer of the nature and condition of the intended operating area when purchasing your Hyster truck.

MODEL TABLE NOTES:

- Add 34mm for ISS Carriage up to and including 2500kg capacity
Add 36mm for ISS Carriage for greater than 2500kg capacity
- Measurement from Ground to Bottom of Forks
- Add 666mm with LBR up to and including 2500kg capacity
Add 583 with LBR for greater than 2500kg capacity
- h6 subject to +/- 5 mm tolerance.
Add 20mm with cab option.
Add 104mm for battery side removal option.
Add 124mm for battery side removal with cab option.
- Full Suspension (FLM80) specified. Compressed condition
Add 40mm for nominal position.
Add 104mm for battery side removal option.
- Add 28mm with load backrest
- Standard performance, extended shift function turned on
- Maximum flow set through dash display.
- LPAZ, measured according to the test cycles and based on the weighting values contained in EN12053
- 2LFL masts only

MAST TABLE NOTES:

- Add 666mm with load backrest extension.
- Deduct 666mm with load backrest extension.
- Add 684mm with load backrest extension.
- Deduct 684mm with load backrest extension.
- Add 583mm with load backrest extension.
- Deduct 583mm with load backrest extension.
- Add 601mm with load backrest extension.
- Deduct 601mm with load backrest extension.
- Nominal Battery compartment length.
- Wide tread required. Standard tread possible but with reduced capacity. Contact your Hyster dealer
- Alternative capacities available with pneumatic tyres. Contact your Hyster dealer.
- Max fork height = h3+s
- Freelift (top of forks) = h2+s


To calculate truck capacities with alternative truck specifications to the ones shown in the above tables, please use the WorldWide Rating Program.

NOTICE:

Care must be exercised when handling elevated loads. Operators must be trained and must read, understand and follow the instructions contained in the Operating Manual.

All values are nominal values and they are subject to tolerances. For further information, please contact the manufacturer. Hyster products are subject to change without notice.

Lift trucks illustrated may feature optional equipment. Values may vary with alternative configurations.

 **Safety:** This truck conforms to the current EU and ANSI requirements.

Specification data is based on VDI 2198.

STRONG PARTNERS. TOUGH TRUCKS.™

FOR DEMANDING OPERATIONS, EVERYWHERE.

Hyster supplies a complete range of warehouse equipment, IC and electric counterbalanced trucks, container handlers and reach stackers. Hyster is committed to being much more than a lift truck supplier.

Our aim is to offer a complete partnership capable of responding to the full spectrum of material handling issues: Whether you need professional consultancy on your fleet management, fully qualified service support, or reliable parts supply, you can depend on Hyster.

Our network of highly trained dealers provides expert, responsive local support. They can offer cost-effective finance packages and introduce effectively managed maintenance programmes to ensure that you get the best possible value. Our business is dealing with your material handling needs so you can focus on the success of your business today and in the future.



HYSTER EUROPE

Centennial House, Frimley Business Park, Frimley, Surrey, GU16 7SG, England.

Tel: +44 (0) 1276 538500



www.hyster.eu



infoeurope@hyster.com



[/HysterEurope](https://www.facebook.com/HysterEurope)




[@HysterEurope](https://twitter.com/HysterEurope)



[/HysterEurope](https://www.youtube.com/HysterEurope)



HYSTER-YALE UK LIMITED trading as Hyster Europe. Registered Address: Centennial House, Building 4.5, Frimley Business Park, Frimley, Surrey GU16 7SG, United Kingdom. Registered in England and Wales. Company Registration Number: 02636775.

©2021 HYSTER-YALE UK LIMITED, all rights reserved. HYSTER,  and STRONG PARTNERS. TOUGH TRUCKS. are trademarks of HYSTER-YALE Group, Inc.

Hyster products are subject to change without notice. Forklift trucks illustrated may feature optional equipment.