



**STRONG PARTNERS.  
TOUGH TRUCKS.™**



# **TECHNICAL GUIDE P2.0UT S SERIES**



**WWW.HYSTER.COM**

# > P2.OUT S

GENERAL	1-1	Manufacturer			HYSTER	
	1-2	Model designation			P2.OUT S	
	1-3	Drive			Electric (battery)	
	1-4	Operator type			Pedestrian	
	1-5	Rated capacity/rated load	Q <sub>1</sub>	t	2.0	
	1-6	Load centre distance	c	mm	600	
	1-8	Load distance, centre of drive axle to fork	x	mm	815 / 865 / 935	
	1-9	Wheelbase	y	mm	1211 / 1261 / 1331	
	WEIGHT	2-1	Service weight		kg	710
2-2-1		Axle loading with load, front / rear		kg	1300	1410
2-3-1		Axle loading without load, front / rear		kg	110	600
WHEELS	3-1	Tyre type			Polyurethane	
	3-2	Tyre size, front			250 × 70	
	3-3	Tyre size, rear			82 × 98	
	3-4	Additional wheels (dimensions)			127 × 57	
	3-5	Wheels, number front / rear (x = driven wheels)			1X+2 / 2(4)	
	3-6	Tread, front	b <sub>10</sub>	mm	490	
	3-7	Tread, rear	b <sub>11</sub>	mm	340 / 505	
DIMENSIONS	4-4	Lift	h <sub>3</sub>	mm	202	
	4-9	Height drawbar in driving position min./max.	h <sub>14</sub>	mm	1150	1430
	4-19	Height, lowered	h <sub>13</sub>	mm	82	
	4-19	Overall length	l <sub>1</sub>	mm	1760	
	4-20	Length to face of forks	l <sub>2</sub>	mm	610	
	4-21	Overall width	b <sub>1</sub> /b <sub>2</sub>	mm	775	
	4-22	Fork dimensions DIN ISO 2331	s/e/l	mm	53 x 180 x 1150	
	4-25	Distance between fork-arms	b <sub>5</sub>	mm	550 / 685	
	4-32	Ground clearance, centre of wheelbase	m <sub>2</sub>	mm	28	
	4-34-1	Aisle width for pallets 1000 × 1200 crossways	A <sub>st</sub>	mm	1960	
	4-34-4	Aisle width for pallets 800 × 1200 lengthways	A <sub>st</sub>	mm	2010	
	4-35-1	Turning radius	W <sub>a</sub>	mm	1600	
PERFORMANCE	5-1	Travel speed with / without load		km/h	7.0	7.1
	5-2	Lifting speed with / without load		m/s	0.039	0.056
	5-3	Lowering speed with / without load		m/s	0.064	0.050
	5-7	Gradeability - 1.6 km/h, with / without load		%	6	18
	5-9	Max. gradeability - 1.6 km/h, with / without load		%	8	20
	5-10	Service brake			Electromagnetic brake	
	6-4	Battery voltage/nominal capacity K5		V/Ah	24V / 210Ah	
	6-5	Battery weight		kg	170	
	10-7	Average noise level at the operator's ear according to EN 12053		dB (A)	70	

## NOTES:

Specifications are affected by the condition of the vehicle and how it is equipped, as well as the nature and condition of the operating area. Inform your dealer of the nature and condition of the intended operating area when purchasing your Hyster® truck.

## NOTICE:


Care must be exercised when handling elevated loads. Operators must be trained and must read, understand and follow the instructions contained in the Operating Manual.

All values are nominal values and they are subject to tolerances. For further information, please contact the manufacturer.

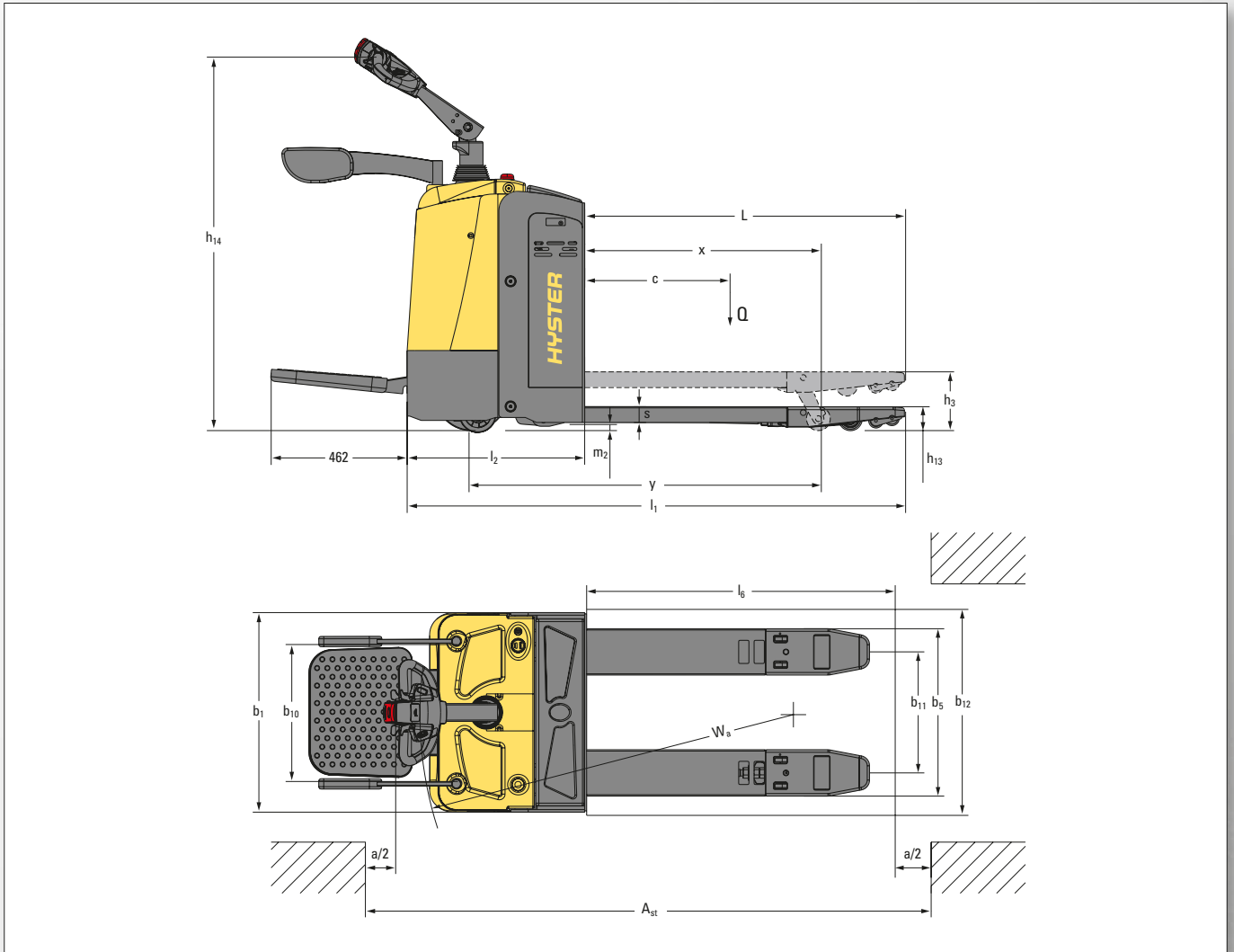
Hyster products are subject to change without notice.

Lift trucks illustrated may feature optional equipment. Values may vary with alternative configurations.

Specification data is based on VDI 2198.

 **Safety:** This truck conforms to the current EU requirements.

# TRUCK DIMENSIONS <



# PRODUCT FEATURES <

The Hyster platform pallet truck P2.0UT S delivers a low cost of operation. These robust platform pallet trucks can optimise lorry loading and unloading operations, as well as boosting pallet transportation rates over short and long distances.

## PRODUCTIVITY

- Advanced AC control system eliminates the motor brushes, which limits maintenance requirements.
- Low skirting on main chassis.
- The side battery rollout system is very convenient to replace batteries.
- Built-in pressure relief valve protects the trucks from overloading.
- Emergency power disconnect switch.
- Long handle reduces steering effort.
- Emergency reversing system in handle.
- Low speed switch in the handle.
- Variable speed control.

## OPTIMUM STRUCTURAL DESIGN

- Spring-loaded casters improve lateral stability on uneven floors and enhance truck performance and service life.
- Formed heavy gauge steel provides maximum fork strength and longevity.
- Pull rod design protects against bending.
- Durable plastic covers.

## ERGONOMICS

- Vertical driving wheel offers small turning radius. The structure is water-proof and dust-proof.

- The riser axle located at the highest point of forks, which protect riser axles from constant contact from uneven floors. Pull rod design protect the rod from bending
- One-piece heavy gauge steel is formed for maximum strength forks.

## SERVICEABILITY

- CANbus technology reduces wiring complexity.
- Low battery protection setting extends the battery life.
- All pivot points have grease fitting and serviceable bushing, reducing component wear and extending component life.



# STRONG PARTNERS. TOUGH TRUCKS.™

FOR DEMANDING OPERATIONS, EVERYWHERE.

Hyster® supplies a complete range of warehouse equipment, IC and electric counterbalanced trucks, container handlers and reach stackers. Hyster® is committed to being much more than a lift truck supplier.

Our aim is to offer a complete partnership capable of responding to the full spectrum of material handling issues: whether you need professional consultancy on your fleet management, fully qualified service support, or reliable parts supply, you can depend on Hyster®.

Our network of highly trained dealers provides expert, responsive local support. They can offer cost-effective finance packages and introduce effectively managed maintenance programmes to ensure that you get the best possible value. Our business is dealing with your material handling needs so you can focus on the success of your business today and in the future.




## HYSTER EUROPE

Centennial House, Frimley Business Park, Frimley, Surrey, GU16 7SG, England.

Tel: +44 (0) 1276 538500

[www.hyster.eu](http://www.hyster.eu) [infoeurope@hyster.com](mailto:infoeurope@hyster.com) [/HysterEurope](https://www.facebook.com/HysterEurope) [@HysterEurope](https://twitter.com/HysterEurope) [/HysterEurope](https://www.youtube.com/channel/UC...) [www.hyster-bigtrucks.com](http://www.hyster-bigtrucks.com)

HYSTER-YALE UK LIMITED trading as Hyster Europe. Registered Address: Centennial House, Building 4.5, Frimley Business Park, Frimley, Surrey GU16 7SG, United Kingdom. Registered in England and Wales. Company Registration Number: 02636775.

©2019 HYSTER-YALE UK LIMITED, all rights reserved. HYSTER, , and STRONG PARTNERS. TOUGH TRUCKS. are trademarks of HYSTER-YALE Group, Inc. Hyster products are subject to change without notice. Forklift trucks illustrated may feature optional equipment.

